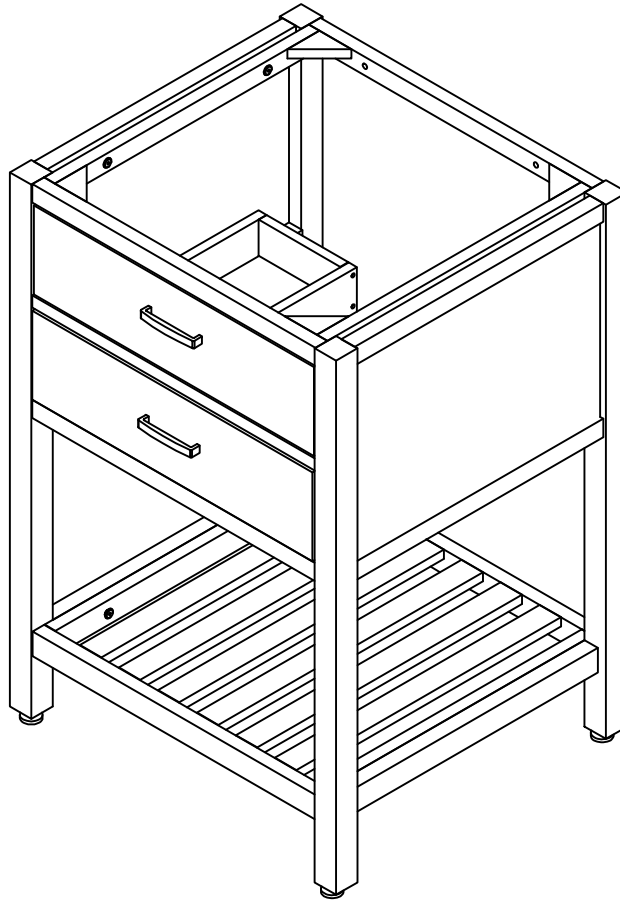


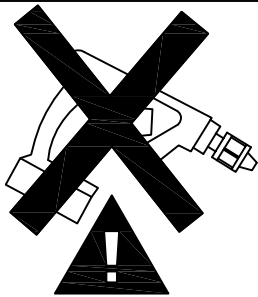
# ASSEMBLY INSTRUCTION

## 24" Vanity

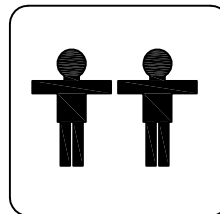


### REPLACEMENT PARTS

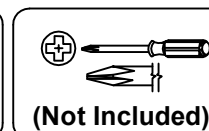
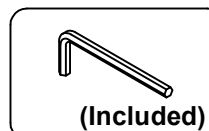
Please do not contact the company purchased from as we can help you faster.  
Order replacement parts and hardware at " [www.boltonfurniture.com](http://www.boltonfurniture.com) "



. Use of power tool to assemble this product will invalidate any claim and damage this product making it unsafe !!!  
. Please assemble on a clean soft surface to avoid damage.

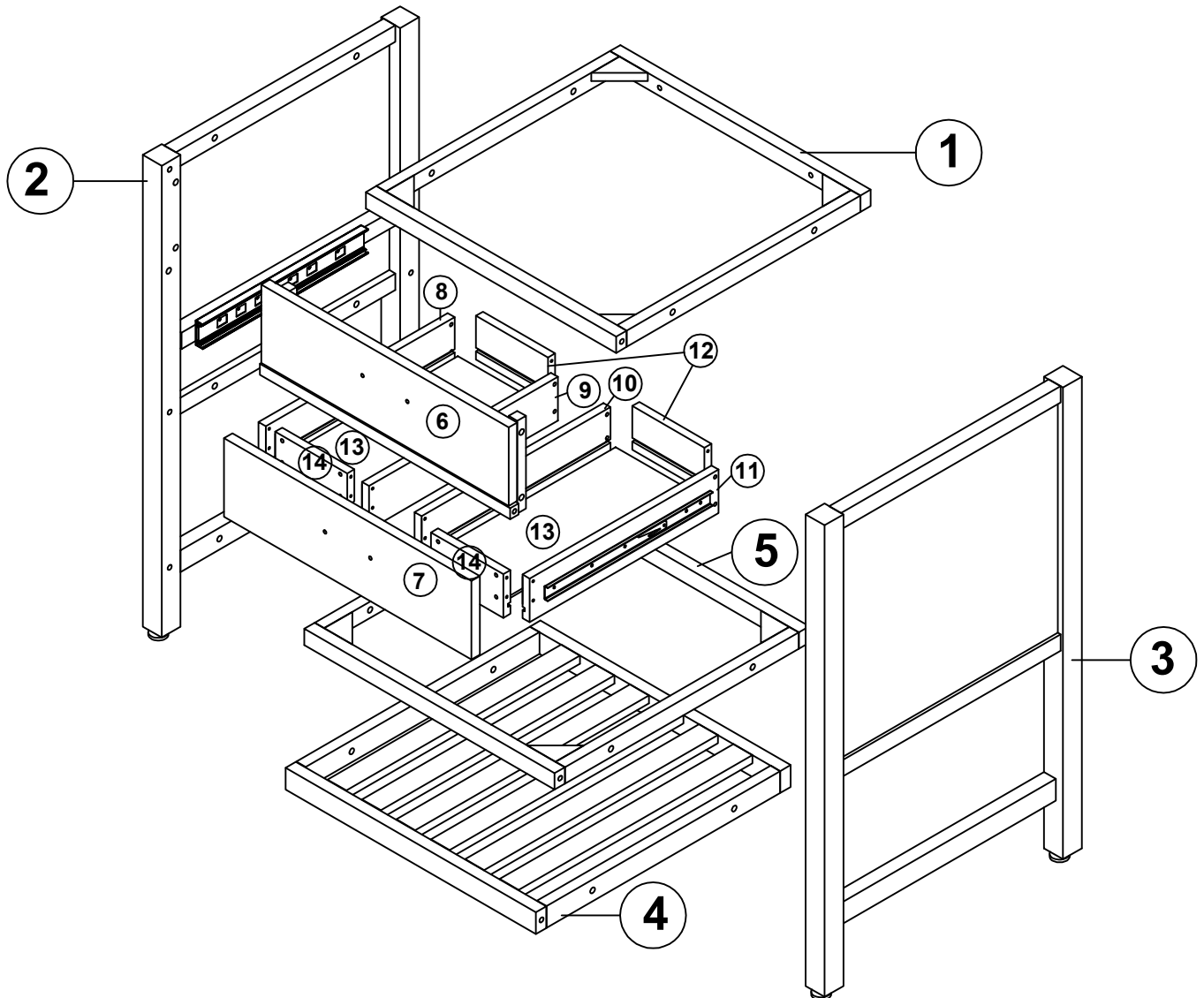


### Tools Required



[www.boltonfurniture.com](http://www.boltonfurniture.com)

# Part list - 24" Vanity



Identifying the hardware-Identify the hardware using the illustrations below

**A**  **08**  
Ø8\*30mm Wood Dowel

**B**  **16**  
M6\*45mm Bolt

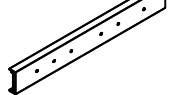
**C**  **16**  
Ø6\*16mm Washer

**D**  **16**  
4\*25mm Screw

**E**  **16**  
3.5\*15mm Screw


**F**  **02**

**G**  **02**  
4\*25mm Screw

**H**  **02**

**I**  **02**  
4\*50mm Screw

**J**  **02**  
4\*40mm Anchor

**K**  **01**

**L**  **16**  
Ø6\*20mm Wood Dowel

**M**  **02**  
4\*15mm Screw

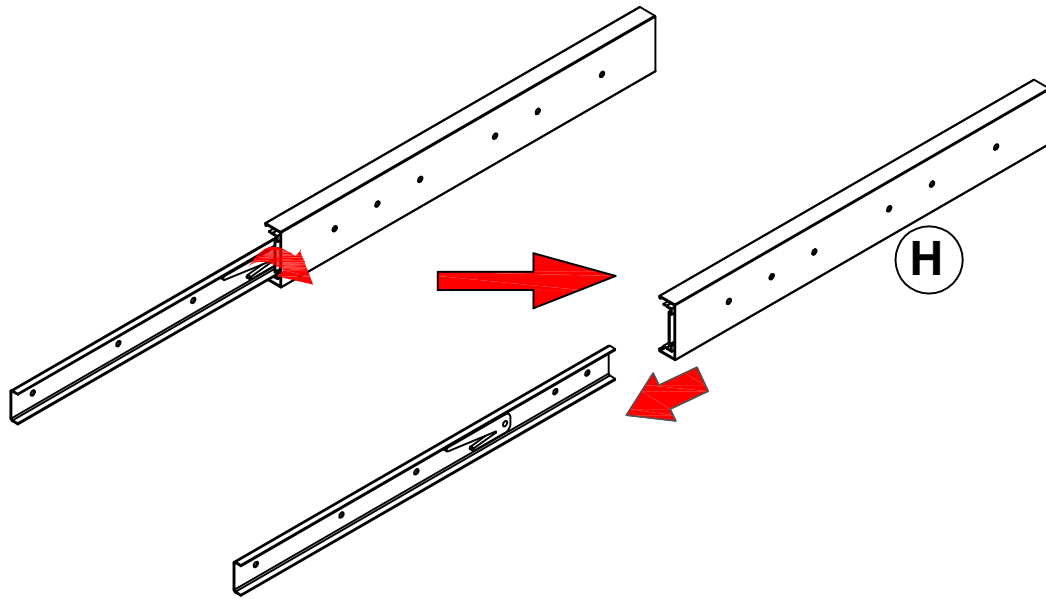
**N**  **04**

**O**  **08**  
4\*20mm Screw

[www.boltonfurniture.com](http://www.boltonfurniture.com)

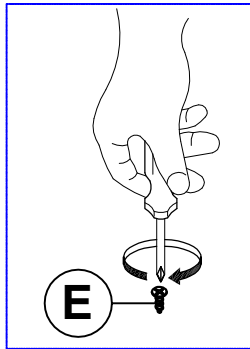
# Step 01

H  02

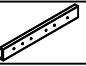



# X2

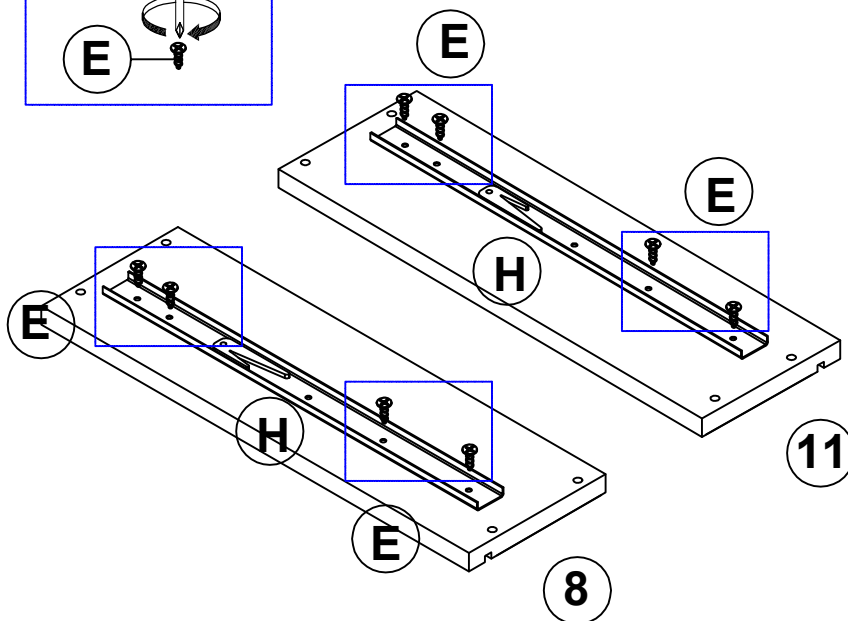
# Step 02



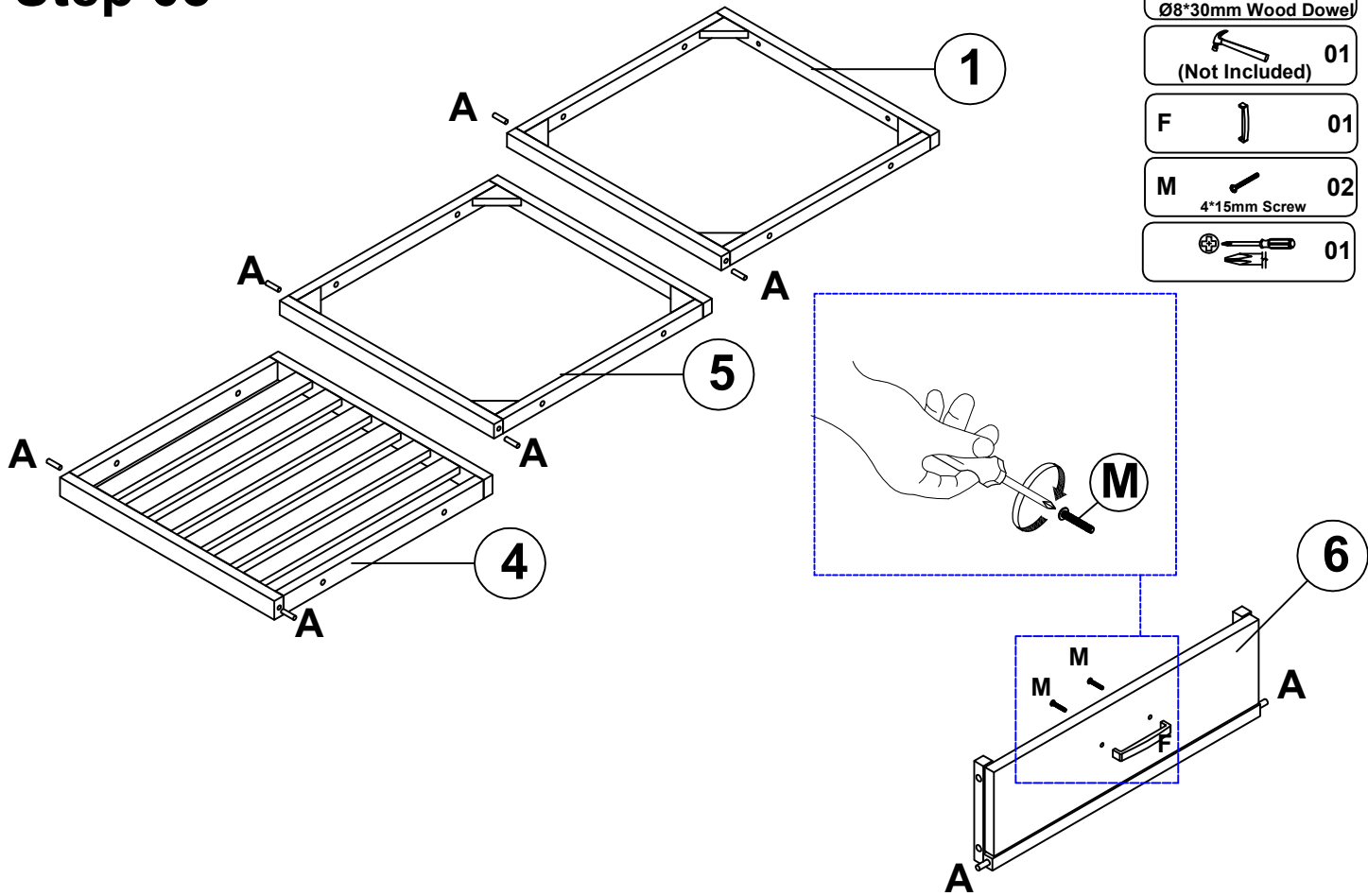
E  08  
3.5\*15mm Screw

H  02

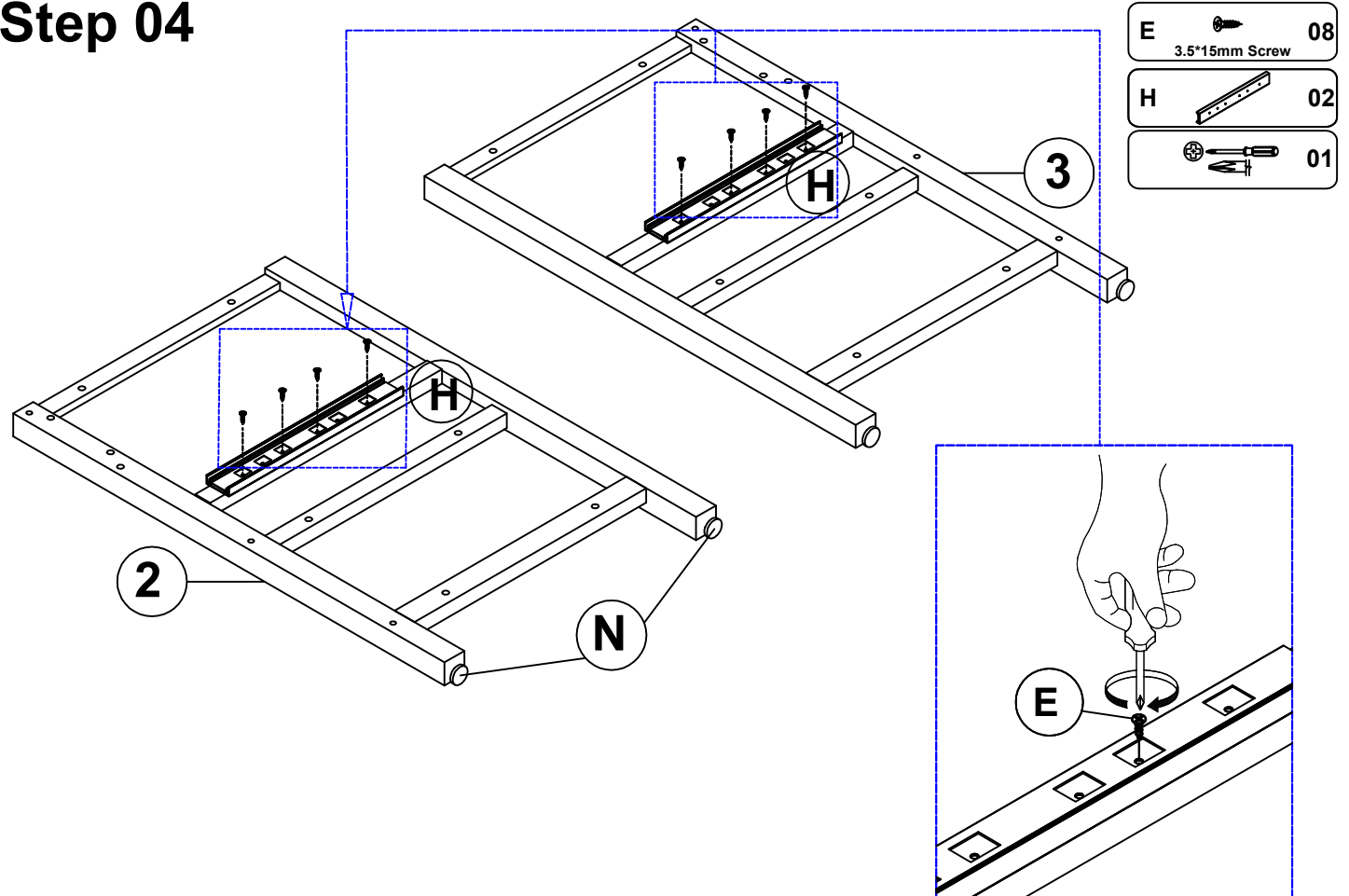
 01



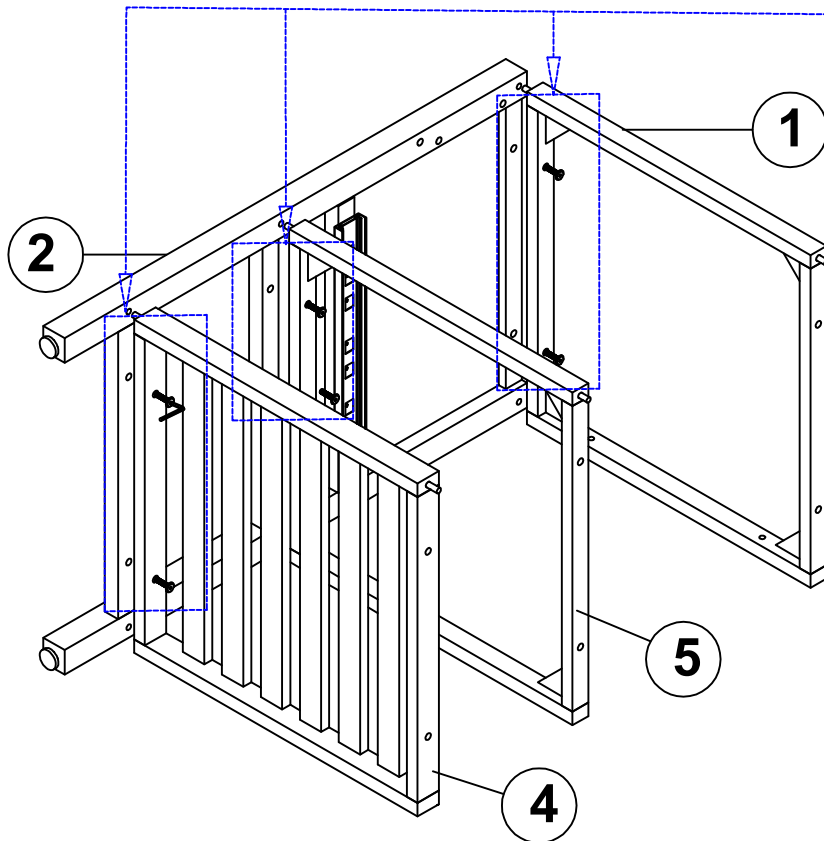
# Step 03



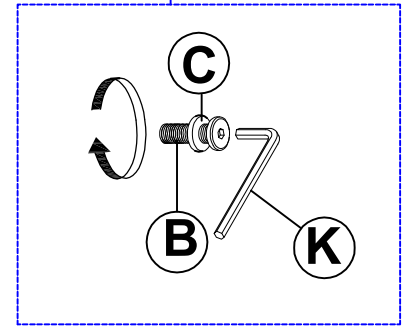
# Step 04



# Step 05

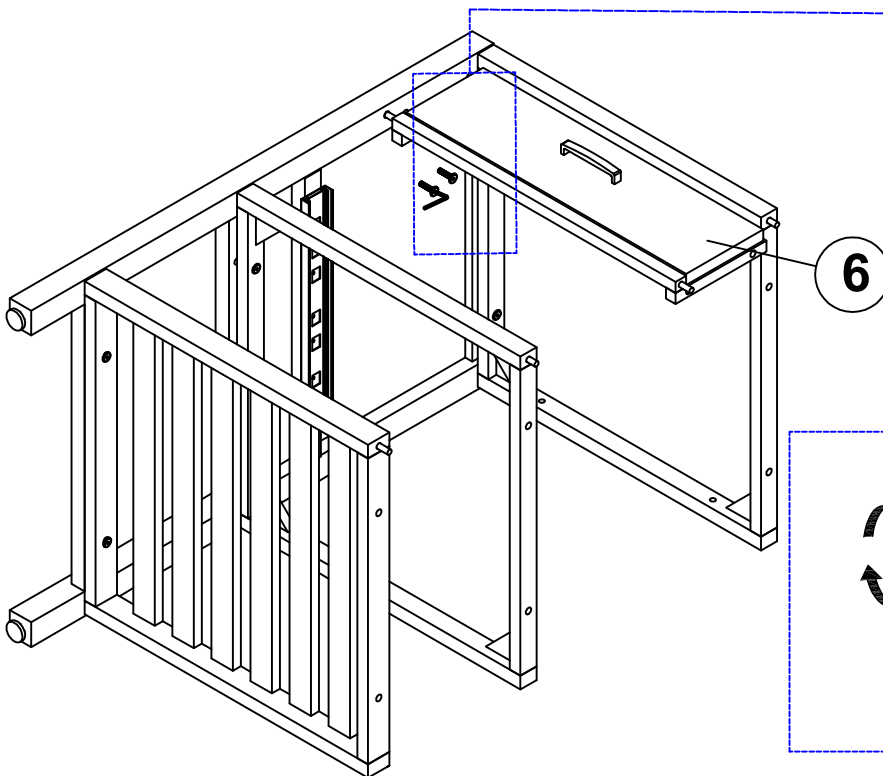


B		06
C		06
K		01

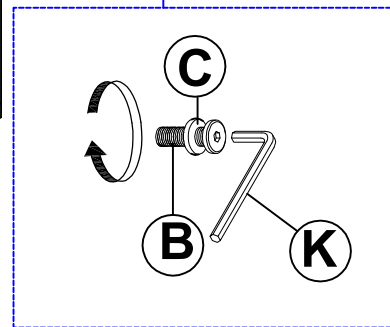


**Note: Do not tighten bolts firmly at this time**




# Step 06

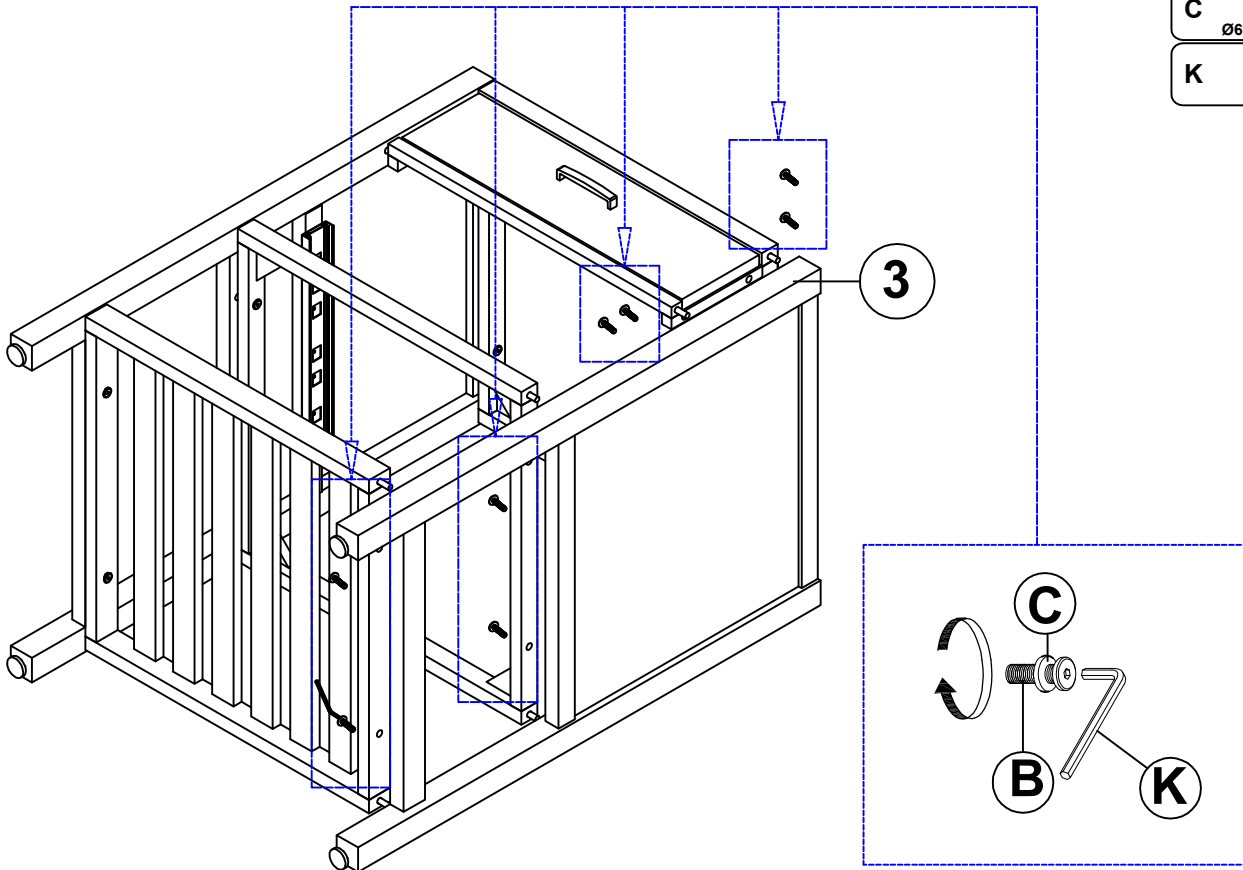


B		02
C		02
K		01



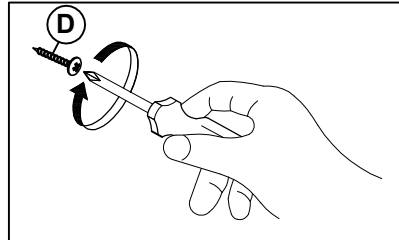
# Step 07

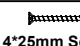
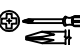

- B**  **08**  
M6\*45mm Bolt
- C**  **08**  
Ø6\*16mm Washer
- K**  **01**

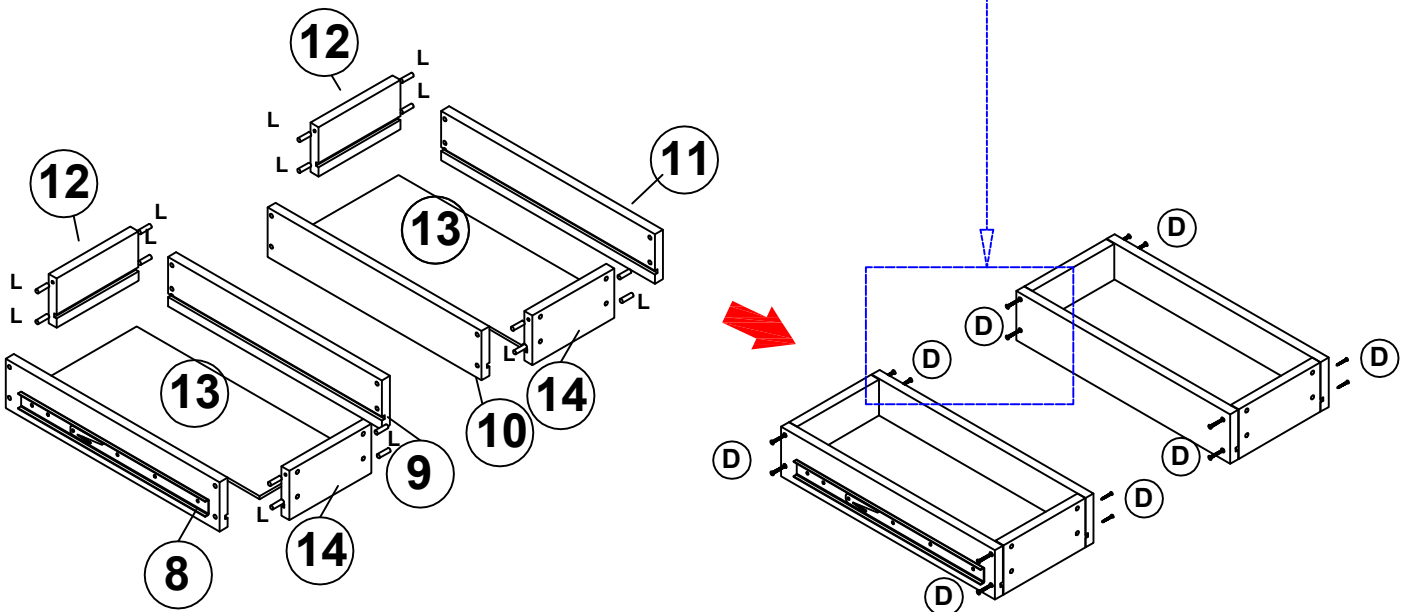


**Note: Tighten all bolts at this time**

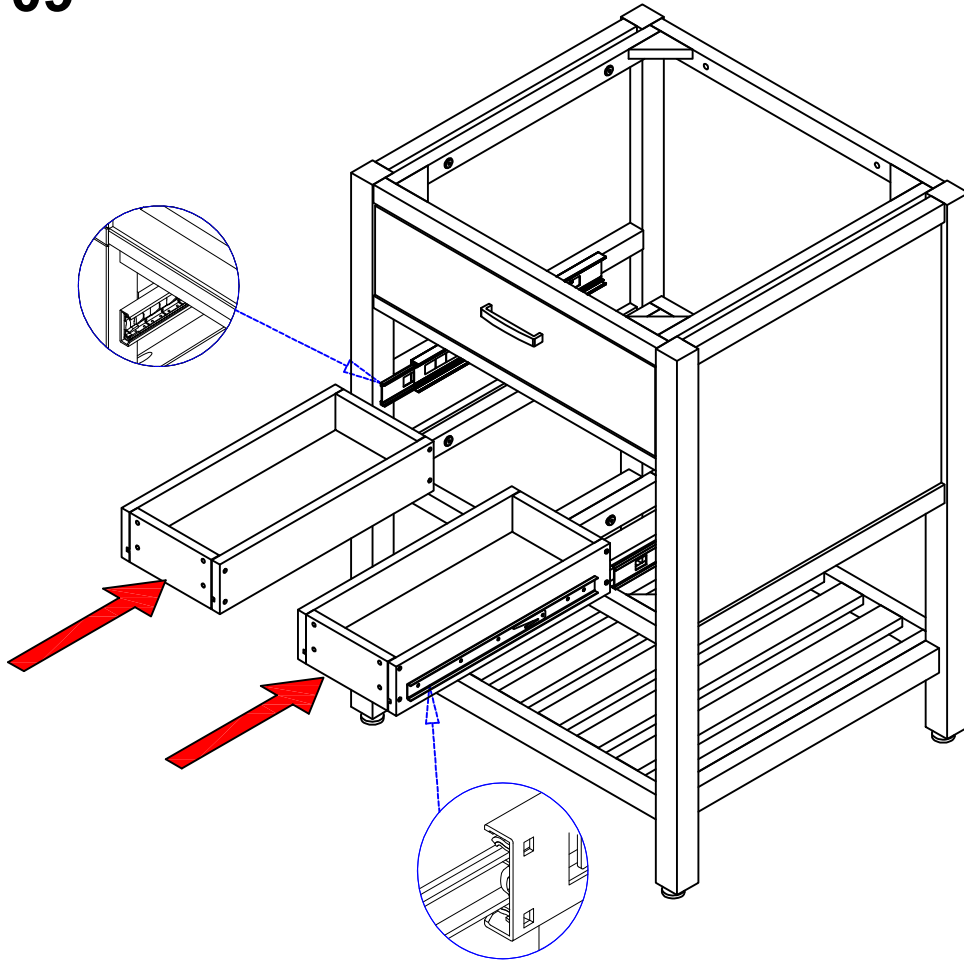
# Step 08



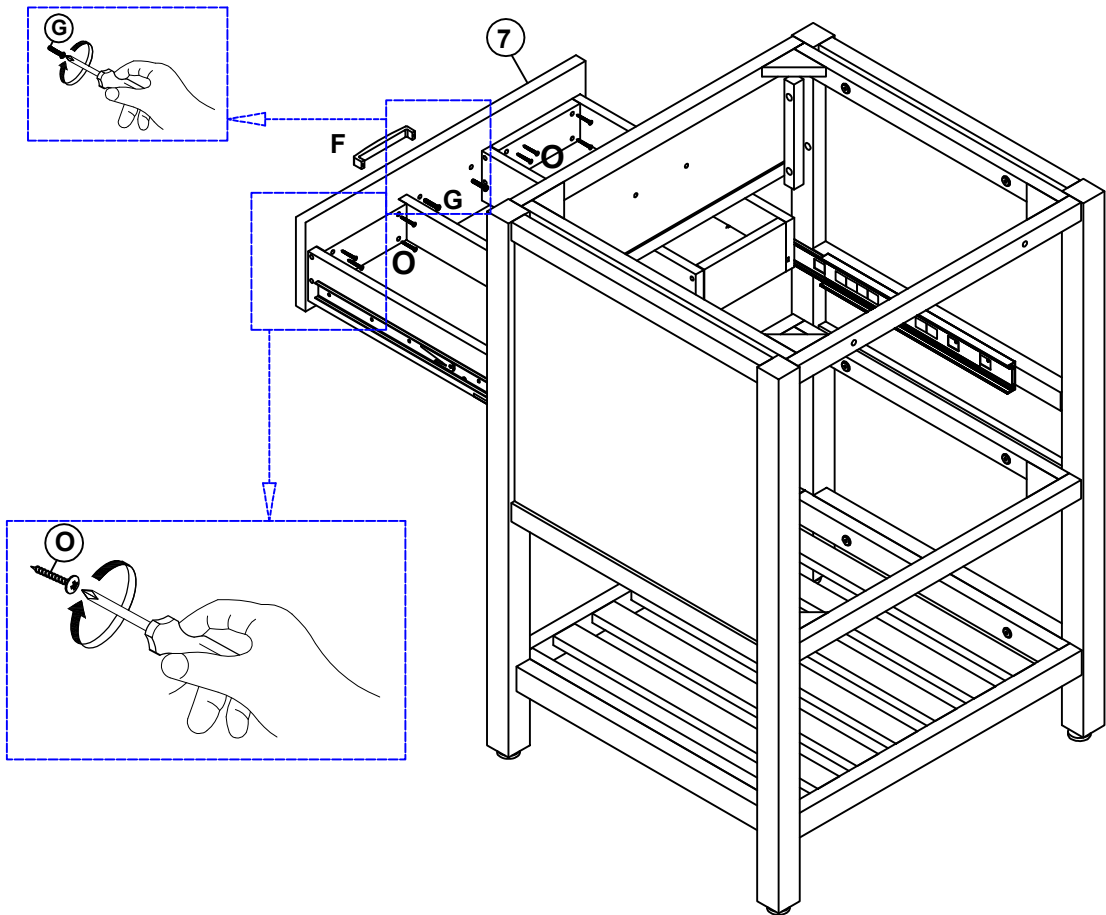
- D**  **16**  
4\*25mm Screw
- 01** 
- L**  **16**  
Ø6\*20mm Wood Dowel



# Step 09



# Step 10



- |   |              |    |
|---|--------------|----|
| F |              | 01 |
| G |              | 02 |
|   | 4*25mm Screw |    |
|   |              | 01 |
| O |              | 08 |
|   | 4*20mm Screw |    |

# Step 11

- . Mark the location of the Studs in the wall on the stretcher rail.
- . Drill a 1/16" thru hole in the center of the Stretcher Rail at the location of the studs in the wall.
- . Secure the Vanity to the wall using screws (I)  
Make sure the screws align with the Stud in the wall.
- . If hole locations do not align with stud in wall, install the EZ Anchor(J) in to drywall and then screwing the EZ Anchor in to the drywall.
  - a.Screw self-drilling EZ Anchor into drywall, using moderate pressure
  - b.Turn the drywall anchor in until the lip is flush with the wall
  - c.Secure the vanity to the wall by screwing into the EZ AnchorNote: The vanity should be secured to at least 1 stud in the wall.

